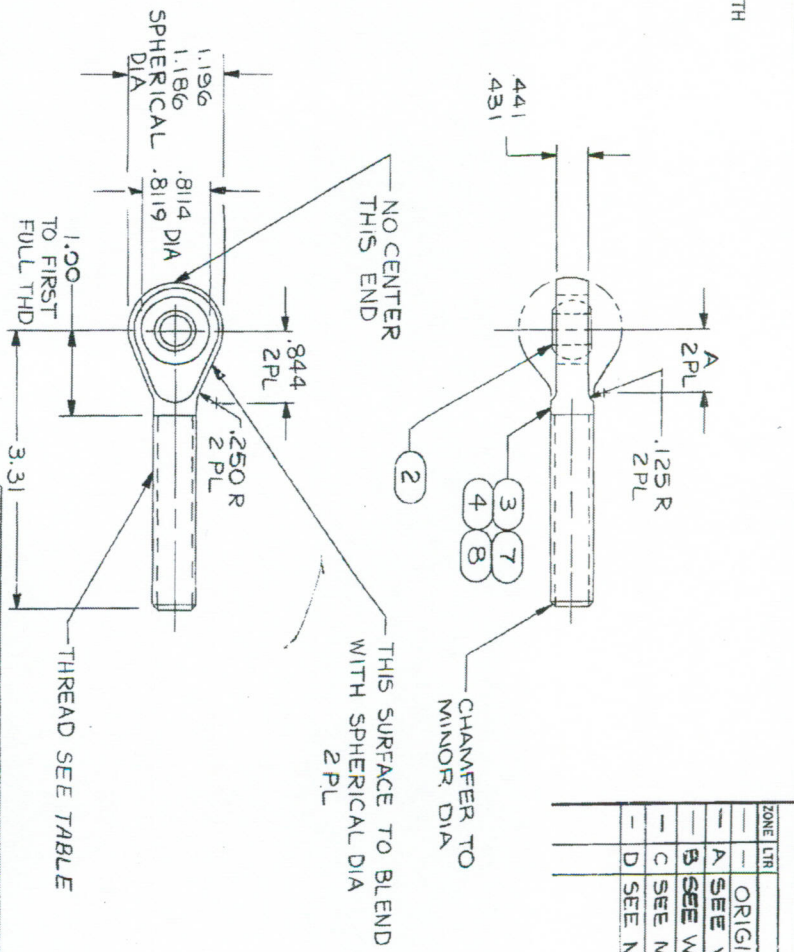


- NOTES**
1. INTERPRET DRAWING IN ACCORDANCE WITH MIL-D-1000.
 2. PASSIVATE PER FIND NO. 6
 3. IDENTIFY PER FIND NO. 5
 4. \forall ALL OVER



PART NO.	MATERIAL	THREAD	A
5366045-1	17-4 PH CRCS, TEMPER A, AMS 5643	4375-20 UNF-2A	781
5366045-2	HEAT TREAT TO CONDITION H 900	4375-20 UNF-2A-LH	
5366045-3	ROCKWELL C40-47	.625-18UNF-2A	106
5366045-4		.625-18UNF-2A-LH	

*VENDOR ITEM - SEE SPEC CONTROL DRAWING

REF REF REF REF
 QTY QTY QTY QTY
 REF REF REF REF
 AR AR AR AR
 IDENT IDENT IDENT IDENT

REF	REF	REF	REF
1	1	1	1
1	1	1	1
1	1	1	1
1	1	1	1

UNLESS OTHERWISE SPECIFIED DIMENSIONS ARE IN INCHES

ANGLES ±

3 PLACE DECIMALS ± .010

2 PLACE DECIMALS ± .02

1 PLACE DECIMALS ±

MATERIAL

FOR PARTS APPLICATION

SEE OD 32190

USED ON

APPLICATION

REVISIONS	ZONE LTR	DESCRIPTION	DATE	APPROVED
		ORIGINATED		
	A	SEE WECCO 106509	85-8-15	[Signature]
	B	SEE WECCO 106817	85-11-24	[Signature]
	C	SEE MECO 107076	86-3-7	[Signature]
	D	SEE MECO 107155	86-4-2	[Signature]

PARTS LIST	PREPARED BY	DATE	DRAWING OR SPECIFICATION	DEPARTMENT OR DESCRIPTION	FIND NO.
5366045-8	KANTHEID	APR 27 1981	3Q-Q-P-35	BEARING, BALL ROD END	1
5366045-7	KANTHEID	APR 27 1981	MIL-STD-130	ROD, END	2
5366045-14	KANTHEID	APR 27 1981	MIL-STD-130	PASSIVATE IDENTIFICATION	4
5366045-13	KANTHEID	APR 27 1981		ROD, END	3
5366046-1	KANTHEID	APR 27 1981		BEARING, PLAIN SELF-ALIGNING*	2

BEARING, BALL ROD END

NAVY DEPARTMENT OF THE NAVY
 NAVAL SEA SYSTEMS COMMAND
 WASHINGTON, D. C. 20382

SIZE (CODE IDENT NO.) NAVSEA DRAWING NO.
 C 53711 5366045

SCALE 1/1

SHEET 1 OF 1