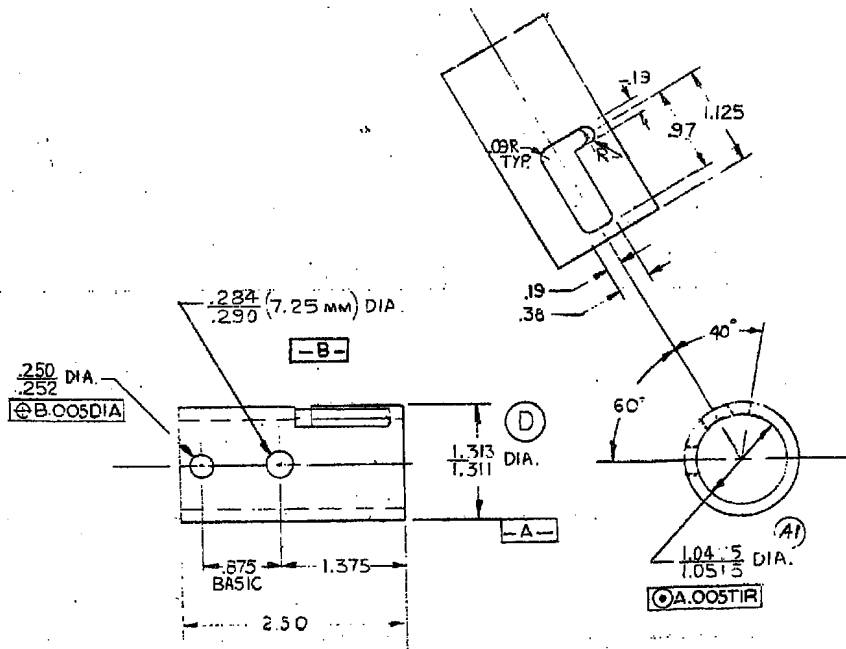


REVISIONS				
ZONE	SYM	DESCRIPTION	DATE	APPROVAL
A		1.0495 DIA WAS 1.0485 DIA 1.0515 DIA WAS 1.0505 DIA	8-24-68	NOV. AN
B		ADDED DESIGN ACTIVITY CODE IDENT NO. 98750	12-2-71	
C		(1)-4A APPLICATION ADDED (2) NOTE 4 WAS RUBBER STAMP (3) NOTE 5 ADDED	22-71	
D		DIM. 1.313 DIA WAS 1.314 DIA. 1.311	12-5-71	CNS



DRAWING NUMBER
14711-421
REV D

(B) DESIGN ACTIVITY
CODE IDENT. NO. 98750

(5) OPTIONAL MATERIAL 303 STAINLESS
TUBING OR BAR STOCK

- (C-2) 4. APPLY PART NOS PER MIL-STD-130
- 3. FINISH PER MIL-STD-808, D 200
- 2. ALL SURFACES 125 AS CUT.
- 1. BURR ALL EDGES & CORNERS

NOTES: UNLESS OTHERWISE SPECIFIED.

PART NO.	QTY REQ	QTY ON HAND	QTY IN STOCK
11768-105	1	1	1
11768-103	5	5	5
11768-101	5	5	5
14711-107	3	3	3
14711-105	3	3	3
14711-103	3	3	3
14711-101	2	2	2

REQD	PART NO.	DESCRIPTION	MATL	MATERIAL SPEC	SEE NOTE	ZONE
LIST OF MATERIAL						
DO NOT SCALE DRAWING			DRAWN: E. NAFFA		DATE: 5-22-68	
UNLESS OTHERWISE SPECIFIED DIMENSIONS ARE IN INCHES			CHECKED: S. J. ...		DATE: 5-22-68	
FRACTIONS ON TO FRANCES ON			APPROVED: ...		DATE: 5-22-68	
FRACTIONS DECIMALS ANGLES			PREPARED FOR: ASD			
MATERIAL CRES TUBING 1.315 O.D. X .179 WALL			CONTRACT NO. AF33(657) 9673		CODE IDENT. NO. 81868	
MIL-T-8506 TYPE I			SCALE: 1/1		WT:	
APPLICATION			QTY REQD		QTY ON HAND	

SLEEVE - INNER

BROOKS & PERKINS
INCORPORATED
DETROIT MICHIGAN

SIZE C 14711-421