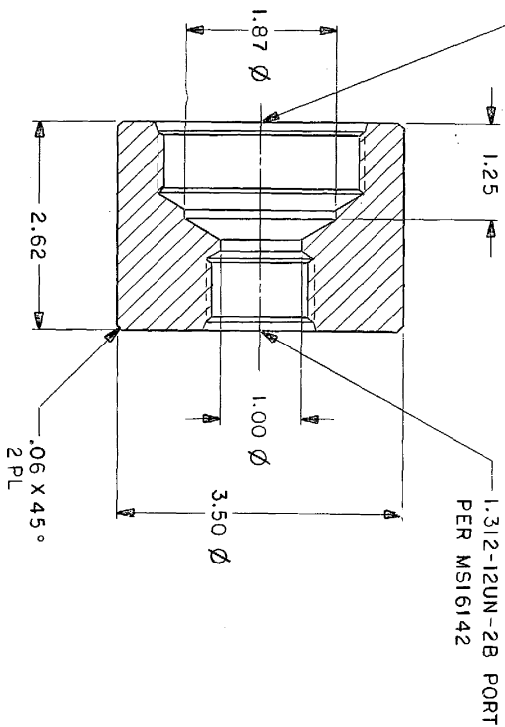


REVISIONS		DATE	APPROVED
ZONE	TR		
INIT	RLSE ERR	PCF-J9311	

2.500-12UN-2B PORT  
PER MS16142



- NOTES:
1. ALUMINUM ALLOY  
5083, 5086, 5456 TEMPER H111 OR  
6061 TEMPER T6  
ASTM B221 OR B211
  2. REMOVE ALL BURRS AND SHARP  
EDGES

UNLESS OTHERWISE SPECIFIED DIMENSIONS ARE IN INCHES		CONTRACT NUMBER <b>DAAK70-81-C-0242</b>		U.S. ARMY TANK AUTOMOTIVE COMMAND WARREN, MICHIGAN 48090	
TOLERANCE 2 PLACE DECIMALS ± .03		FACING CONTRACTOR SERVICON DIVISION OF PACIFIC CARBON CORPORATION SENIOR, WASHINGTON		PART NO. <b>12325756</b>	
ANGLES ±		DRAWN BY <b>AB</b> DATE <b>8-31-82</b>		REDUCER	
MATERIAL <b>SEE NOTE 1</b>		CHECKER <b>WJ</b> ENGINEER		CODE IDENT. NO. <b>12325756</b>	
PROTECTIVE FINISH		DRAWING APPROVAL <b>TJW B3</b>		SIZE <b>C 19207</b>	
SEE ENGINEERING RECORDS		DESIGN APPROVAL <b>TJW B3</b>		SCALE <b>1/1</b>	
NEXT ASSY USED ON		DESIGN APPROVAL <b>TJW B3</b>		UNIT WT	
APPLICATION		MATERIAL ENGINEER <b>PH</b>		SHEET	

INTERPRET DRAWING IN ACCORDANCE WITH  
STANDARDS PRESCRIBED BY DDG-31D-100

12325756